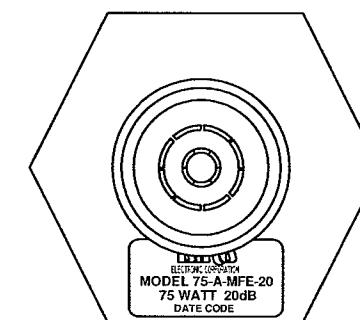
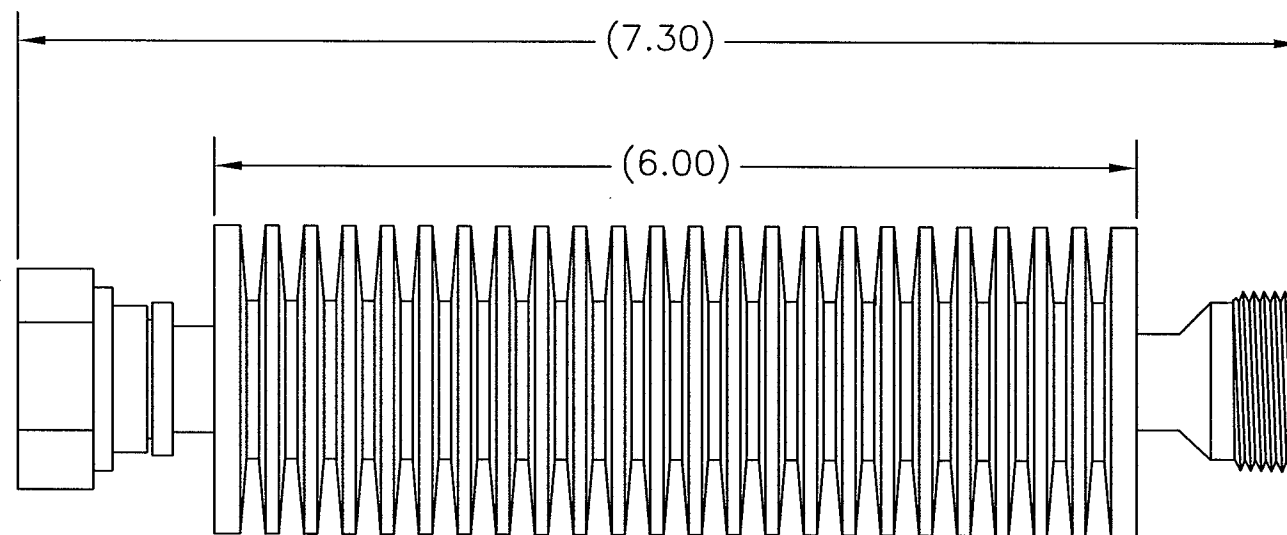
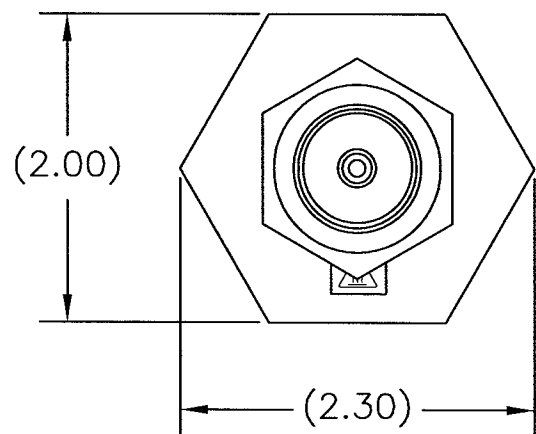


REV A
SHEET 1
DWG NO. 75-A-MFE-XX

SPECIFICATIONS:
 POWER RATING: 75 WATT CONTINUOUS (BI-DIRECTIONAL)
 FREQUENCY RANGE & VSWR:
 DC TO 1GHz AT 1.10:1 MAX.
 1GHz TO 2.4GHz AT 1.25:1 MAX.
 AMBIENT TEMPERATURE RANGE: -40°C TO +40°C
 CONNECTORS: 7/16 MALE AND FEMALE
 - SILVER OR TRI-ALLOY PLATED
 OPERATING POSITION: ANY
 DRY LOAD: CONVECTION COOLED

REVISIONS				
ZONE	REV	DESCRIPTION	DATE	APPROVED
	A	DRAWING RELEASE PER DMD	7-27-04	MEV

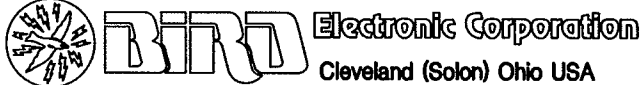


NOTE:
 FOR VALUES NOT LISTED, REFER TO THE NEXT HIGHER ATTENUATION LEVEL FOR SPECIFICATIONS.
 FOR ATTENUATION VALUES GREATER THAN THE HIGHEST LISTED ATTENUATION VALUE, REFER TO THE VALUE 1/2 THE DESIRED ATTENUATION LEVEL, THEN DOUBLE THE LISTED SPECIFICATION VALUES, UNLESS OTHERWISE SPECIFIED.

XX = DASH NUMBER (dB VALUE)

-30	30	±0.8 dB	±1.3 dB
-20	20	±0.5 dB	±1.0 dB
-10	10	±0.4 dB	±0.8 dB
-06	6	±0.4 dB	±0.6 dB
-03	3	±0.3 dB	±0.5 dB
-02	2	±0.3 dB	±0.5 dB
-01	1	±0.3 dB	±0.5 dB
DASH NO.	dB ATTEN.	DC - 1GHz ATTENUATOR	1 - 2.4GHz ACCURACY ±dB

DIMENSIONS HEREON ARE FOR CUSTOMER CONVENIENCE AND REFERENCE ONLY. TOLERANCE TO BE APPLIED ONLY WHERE INDIVIDUALLY STATED ON THE RESPECTIVE DIMENSION. -DO NOT SCALE DRAWING-

UNLESS OTHERWISE SPECIFIED DIMENSIONS ARE IN INCHES TOLERANCES ARE: FRACTIONS DECIMALS ANGLES ± 1/64 .XX=±.010 ± 30' .XXX=±.005		MILLIMETERS .X= ±.4 .XX= ±.12		THIS DRAWING IS THE PROPERTY OF THE BIRD ELECTRONIC CORPORATION. THE DESIGNS AND SPECIFICATIONS DISCLOSED HEREON ARE PROPRIETARY AND SHALL NOT BE REPRODUCED, NOR COPIED, NOR USED AS THE BASIS FOR THE MANUFACTURE OR SALE OF APPARATUS OR DEVICES WITHOUT THEIR EXPRESS WRITTEN CONSENT.		 BIRD Electronic Corporation Cleveland (Solon) Ohio USA	
DO NOT SCALE DRAWING		APPROVALS		DATE		TITLE	
MATERIAL		DRAWN D.M.RINK		7-27-04		ATTENUATOR, CONVECTION COOLED 7/16 MALE/FEMALE, 75W	
FINISH		CHECKED		APPROVED <i>Mark V</i>		SIZE B	
				7-28-04		FSCM NO. 70998	
				AUTOCAD		DWG. NO. 75-A-MFE-XX	
						REV A	
						SCALE	
						COMM CODE AT1	
						SHEET 1 OF 1	